

DEVICE LEGEND	
SYMBOL	DESCRIPTION
	VIDEO PROJECTOR MOUNTED ON TILE BRIDGE MOUNT WITH ELECTRICAL RECEPTACLE
	AV EQUIPMENT CABINET, WALL MOUNT, 3 GANG J BOX @ 80" AFF UON.
	ELECTRICAL BACKBOX, MOUNT AT 80" AFF, UON, # INDICATES SIZE IN GANGS.
	FLAT PANEL DISPLAY PRE-WIRED WALL BACK BOX WITH DUPLEX OUTLET, CHIEF MFG PACK22 COORDINATE LOCATION PER DRAWINGS.
	CONTROL PANEL, TOUCH SCREEN, WIRED, WALL-MOUNT, 6" @ 42" AFF UON, BACK BOX: CRESTRON BB-6L
	CONTROL PANEL, TOUCH SCREEN, WIRED, WALL-MOUNT, 15" @ 42" AFF UON, BACK BOX: CRESTRON BB-V15
	VIDEOCONFERENCING CAMERA, WALL MOUNT, 4 SQUARE J BOX @ 80" AFF UON, 1/2" CONDUIT TO AIRSPACE.
	AV EQUIPMENT CABINET, FREE STANDING, 37 RU
	EQUIPMENT RACK, 42 RU, FLOOR MOUNTED.
	PROJECTION SCREEN, ELECTRIC, KEY TO PROJECTION LEGEND IS SHOWN BELOW TENSIONING: T=TENSIONED, BLANK=UNTENSIONED Y = MOUNTING; R=RECESSED, S=SURFACE 2" = SCREEN ASPECT RATIO; H=H, A=4:3, S=1:1 ## = SCREEN DIAGONAL IN INCHES PS = PROJECTION SCREEN

AUDIO VISUAL DRAWING SCHEDULE	
SHT #	SHEET NAME
AV0.01	AUDIO VISUAL ELECTRONICS COVER SHEET
AV2.01	AUDIO VISUAL ELECTRONICS PARTIAL FLOOR PLAN DEVICE LAYOUT
AV3.01	AUDIO VISUAL ELECTRONICS DETAIL SHEET

ABBREVIATIONS			
A.F.F.	- ABOVE FINISHED FLOOR	U.O.N.	- UNLESS OTHERWISE NOTED
T.B.D.	- TO BE DETERMINED	F.O.V.	- FIELD OF VIEW
N/A	- NOT APPLICABLE	A.C.P.	- ACCESS CONTROL PANEL
SH	- SHIELDED	I.A.P.	- INTRUSION ALARM PANEL
TW	- TWISTED	D	- DEMO
WP	- WEATHER PROOF	E	- EXISTING
S.O.C.	- SECURITY OPERATIONS CENTER	N	- NEW
RECP	- RECEPTION	(E/R)	- EXISTING/REPLACE

AV SCOPE OF WORK STATEMENT	
1.	IT IS THE INTENT OF THESE DOCUMENTS FOR THE CONTRACTOR TO PROVIDE AND INSTALL NECESSARY IN WALL AND ABOVE CEILING INFRASTRUCTURE AS SHOWN ON THE DRAWINGS FOR A FUTURE AUDIOVISUAL SYSTEM. AUDIOVISUAL SCREENS, PROJECTORS, DISPLAYS, RACKS, CAMERAS AND OTHER FIELD DISPLAY AND INTERFACE EQUIPMENT SHALL NOT BE PROVIDED IN THIS SCOPE OF WORK. THE CONTRACTOR SHALL PROVIDE AND INSTALL ALL OF THE NECESSARY POWER, CONDUIT, FLEX, JUNCTION BOXES, BACKBOXES, TRIM RINGS, CUSTOM IN WALL CABINETS, BOXES AND ASSOCIATED INFRASTRUCTURE AS SHOWN HERE. THE CONTRACTOR SHALL PROVIDE CONDUIT STUBS IN THE ACCESSIBLE CEILING IN SUCH A MANNER SO THAT THEY CAN BE EASILY IDENTIFIED AND ACCESSED FOR FUTURE USE.

INSTALLATION NOTES	
1.	ALL WORK SHALL BE IN ACCORDANCE WITH THE LATEST EDITION OF THE NATIONAL ELECTRICAL CODE AND ALL APPLICABLE LOCAL CODES. THE CONTRACTOR SHALL NOT INTERMIX ANY HIGH VOLTAGE POWER WIRES (120VAC) WITH ANY LOW VOLTAGE SIGNAL OR CONTROL WIRES IN ANY CONDUIT.
2.	VERIFY ALL FIELD DIMENSIONS AND CONDITIONS, NOTIFY ARCHITECT OF ANY DISCREPANCIES FOUND, VERIFY DIMENSIONS OF ALL OWNER FURNISHED EQUIPMENT & SERVICES TO ENSURE PROPER COORDINATION WITH CONSTRUCTION.
3.	SCHEDULE ALL WORK, INCLUDING CONSTRUCTION ACCESS AND STORAGE, WITH THE OWNER OR THOSE DESIGNATED BY THE OWNER. THE CONSTRUCTION SCHEDULE SHALL BE APPROVED BY THE OWNER PRIOR TO THE START OF CONSTRUCTION.
4.	ALL UTILITIES REQUIRED FOR THE CONTINUOUS OPERATION OF ALL EXISTING FACILITIES MUST BE MAINTAINED IN SERVICE AT ALL TIMES (IF APPLICABLE).
5.	CONTRACTOR SHALL PROVIDE DUST PROTECTION AS REQUIRED TO CONTAIN DUST AND DEBRIS WITHIN CONSTRUCTION AREA, BROOM CLEAN ALL AREAS EACH DAY.
6.	WORK SHALL BE EXECUTED IN A CAREFUL AND ORDERLY MANNER WITH THE LEAST POSSIBLE DISTURBANCE TO THE PUBLIC AND OCCUPANTS OF EXISTING BUILDINGS. INTERRUPTING PERSONNEL AT WORK AS A RESULT OF THIS UNDERTAKING SHALL ALWAYS BE KEPT TO A MINIMUM. CONTRACTOR SHALL PROVIDE TRAFFIC AND SAFETY SIGNS AND BARRIERS WHERE NECESSARY. NO POWER LINE IN THE BUILDING SHALL BE SHUT DOWN UNLESS REQUESTED AND APPROVED BY THE OWNER IN ADVANCE.
7.	THE CONTRACTORS AND SUBCONTRACTORS PERFORMING WORK ON PREMISES SHALL BE RESPONSIBLE FOR INITIATING, MAINTAINING AND SUPERVISING A REASONABLE AND PRUDENT SAFETY PROGRAM INCLUDING, BUT NOT LIMITED TO, THE ISOLATION OF WORK AREAS AND THE PROMPT REMOVAL OF ANY DEBRIS OR TOOLS WHICH MIGHT ENDANGER VISITORS, EMPLOYEES OR OTHER TRADESMEN IN THE FACILITY. ALL ROADS AND WALKWAYS SHALL REMAIN CLEAR AND UNOBSTRUCTED, WHEN NECESSARY ALTERNATE ROUTES MUST BE MAINTAINED, SHOULD UNSAFE CONDITIONS OCCUR.
8.	COORDINATION WITH OTHER CONTRACTORS: IF ANY PART OF THE CONTRACTORS WORK DEPENDS UPON THE WORK OF A SEPARATE CONTRACTOR, THIS CONTRACTOR SHALL INSPECT SUCH OTHER WORK AND PROMPTLY REPORT IN WRITING TO THE PROJECT ARCHITECT ANY DEFECTS IN SUCH OTHER WORK THAT RENDER IT UNSUITABLE TO RECEIVE THE WORK OF THIS CONTRACTOR. FAILURE TO INSPECT AND REPORT SHALL CONSTITUTE AN ACCEPTANCE OF THE OTHER CONTRACTORS WORK EXCEPT AS TO DEFECTS WHICH DEVELOP IN OTHER CONTRACTORS WORK AFTER EXECUTION OF THIS CONTRACTORS WORK.
9.	THE CONTRACTOR SHALL ALWAYS MAINTAIN, AT THE JOB SITE, UPDATED "RECORD" DRAWINGS. THESE DRAWINGS SHALL BE AVAILABLE TO THE ARCHITECTS, INSPECTORS OR THE OWNERS UPON REQUEST.
10.	ALL CABLES AND HANGERS SHALL BE INSTALLED AND SHALL BE CONNECTED IN A UNIFORM MANNER. TRANSPOSITION OR CHANGING OF COLOR CODES SHALL NOT BE PERMITTED. WIRE AND CABLE SIZES, NUMBER OF CONDUCTORS, SHIELDING OR OTHER ITEMS LISTED ON THESE DRAWINGS ARE A GUIDE TO THE CORRECT PRODUCT REQUIRED TO ACHIEVE A WORKING SYSTEM AND REPRESENT THE MINIMUM ACCEPTABLE STANDARDS. CONTRACTOR SHALL CONSULT MANUFACTURER'S RECOMMENDATION FOR CABELING AND USE WHICHEVER IS GREATER IN QUALITY, QUANTITY, GAUGE, SHIELDING AND NUMBER OF CONDUCTORS.
11.	VERIFY THE EXACT LOCATION OF ALL EQUIPMENT FURNISHED BY OTHERS PRIOR TO INSTALLING OUTLETS.
12.	COORDINATE ALL MODULAR FURNITURE TELEDATA WORK WITH FURNITURE SUPPLIER. CONTRACTOR TO PROVIDE APPROPRIATE TERMINATION PRODUCTS.
13.	A PRE PRINTED VINYL MATERIAL MARKER WRAPPED IN ADHESIVE CLEAR PLASTIC SHALL BE PROVIDED TO THE FOLLOWING: A. ALL WIRE LEADS WITHIN 2" FROM ANY TERMINAL BLOCK B. THE CONTRACTOR SHALL SUBMIT SAMPLES OF MARKERS AND ANY NUMBERING OR MARKING SYSTEM FOR REVIEW PRIOR TO IMPLEMENTATION.
14.	ALL ROUTING OF WIRING IS DIAGRAMMATIC. CONTRACTOR SHALL FIELD VERIFY EXACT ROUTING PRIOR TO INSTALLATION.
15.	ALL CABLE PATHS SHALL RUN PARALLEL, WITH OR AT RIGHT ANGLES TO THE WALLS. IF MORE THAN THREE 90 DEGREE BENDS ARE TO BE USED IN THE CONDUIT RUN, INSERT A PULL BOX. CONTRACTOR SHALL SIZE THE BOX ACCORDINGLY. CONDUITS SHALL BE SIZED AS INDICATED ON THE DRAWINGS OR LARGER AS REQUIRED TO COMPLY WITH CODE. MINIMUM ALLOWABLE CONDUIT SIZE SHALL BE 3/4".
16.	THE CONTRACTOR SHALL CLEAN AND THOROUGHLY CHECK ALL INSTALLED WORK PRIOR TO CONCEALING OF ARCHITECTURAL FINISHING. CLEAN ALL EXPOSED SURFACES AND NEW EQUIPMENT AFTER COMPLETION. THE CONTRACTOR SHALL ALSO REPAIR OR CLEAN ALL SOILED SURFACES, PAINTED SURFACES OR DAMAGED ARCHITECTURAL FINISHES TO MATCH THE ADJACENT AREA. WHERE REQUIRED, CLEANING, PATCHING OR PAINTING TO BRING THE AFFECTED SURFACE OR FINISH BACK TO ITS ORIGINAL CONDITION SHALL BE THE RESPONSIBILITY OF THE CONTRACTOR.
17.	WHERE THE CONTRACTOR HAS TO CHANGE ANY DEVICE TYPE OR MOUNTING TO SUIT ACTUAL CONDITIONS, THIS SHALL BE DONE WITHOUT EXTRA COST TO THE OWNERS. THIS INCLUDES ANY ADDITIONAL PART TO BE SUPPLIED BY THE CONTRACTOR TO ACCOMPLISH PROPER MOUNTING OF A DEVICE, HOWEVER, IT SHALL BE REQUESTED, SUBMITTED AND APPROVED IN WRITING BEFORE COMMENCING THE WORK.
18.	COORDINATE ALL TELEPHONE AND DATA (LAN/WAN) INSTALLATION AND CONNECTION REQUIREMENTS WITH THE OWNERS IT DEPARTMENT REPRESENTATIVE AND THE GENERAL CONTRACTOR.
19.	THE CONTRACTOR SHALL UNDERTAKE THIS WORK IN ITS ENTIRETY IN ACCORDANCE WITH ITS DESIGN AND PURPOSE. ALL WORK SHALL BE CARRIED OUT IN A PROFESSIONAL MANNER WITH MAXIMUM EFFICIENCY AND EXCELLENT WORKMANSHIP.
20.	IN THE EVENT OF A DISCREPANCY BETWEEN THE SPECIFICATIONS AND THE DRAWINGS, WHICHEVER IS MORE STRINGENT OR CALLS FOR THE HIGHEST QUANTITY OR QUALITY OF MATERIALS HAS PRECEDENCE.
21.	THE USE OF THE WORD "PROVIDE" IN CONNECTION WITH ANY ITEM SPECIFIED, IS INTENDED TO MEAN THAT SUCH SHALL BE FURNISHED, INSTALLED AND CONNECTED, WHERE SO REQUIRED, EXCEPT AS NOTED OTHERWISE.
22.	PRIOR TO SUBMITTAL OF BID, NOTIFY, IN WRITING, SPECIFIED MATERIALS OR EQUIPMENT WHICH ARE EITHER UNAVAILABLE OR WILL CAUSE A DELAY IN CONSTRUCTION COMPLETION SCHEDULE.
23.	SEE ARCHITECTURAL DRAWINGS FOR MOUNTING HEIGHTS FOR ALL DEVICES

SafirRosetti
Technology • Design • Consulting

A Guided Solutions Company
388 17th Street • Suite 230
Oakland • CA 94612
Telephone • 510.268.8373
Fax • 510.839.4791
Web Site: www.safirrosetti.com

**MERCED
COUNTY
EMERGENCY
OPERATIONS
CENTER/911
DISPATCH**

BUILDING 1230, HERITAGE DR
ATWATER, CALIFORNIA 95201

Issue

Rev Date By Description

Rev	Date	By	Description

Drawn By CW
Checked By ES
Job No.

Issue Date 12/29/2010
Scale N.T.S.

TRUE
Reference North
Drawing Title

AUDIO VISUAL
ELECTRONICS
COVER SHEET

AVO.01

Sheet
These plans, drawings and specifications are the property of Swatt | Miers Architects and use or reuse thereof in part or in whole without the written permission of the Architect is prohibited.
Copyright 2010 Swatt | Miers Architects

**MERCED
COUNTY
EMERGENCY
CENTER/911
DISPATCH**

BUILDING 1230, HERITAGE DR
ATWATER CALIFORNIA 95301

Issue

Rev. Date By Description

Rev.	Date	By	Description

Drawn By: CW

Checked By: ES

Job No.:

Issue Date: 12/29/2010

Scale: 1/8"=1'-0"



Reference North

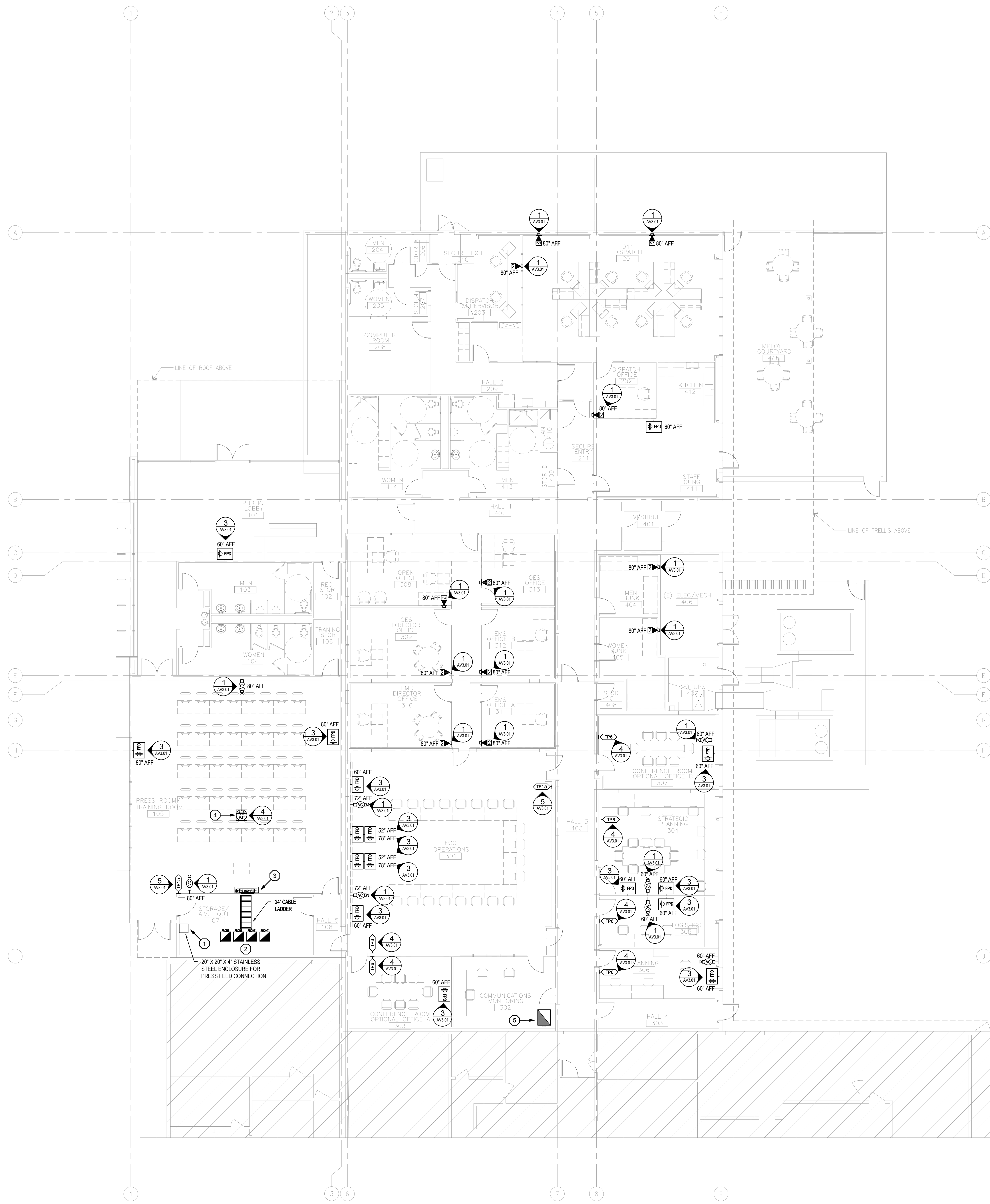
Drawing Title

AUDIO VISUAL
ELECTRONICS
PARTIAL FLOOR PLAN
DEVICE LAYOUT

AV2.01

Sheet

These plans, drawings and specifications are the property of Swatt | Miers Architects and are not to be used or reproduced in part or in whole without the written permission of the Architect. It is prohibited. Copyright 2010 Swatt | Miers Architects



- NOTES TO SHEETS**
- 1 3 GANG JUNCTION BOX @ 18" AFF. TWO (2) 1" CONDUITS STUBBED TO ABOVE CEILING.
 - 2 ELECTRICAL POWER DISTRIBUTION BUSWAY, 60 AMP, 3 PHASE WITH OUTLET BOXES FOR FUTURE EQUIPMENT RACKS.
 - 3 120V 15A POWER ABOVE CEILING FOR FUTURE SCREEN. TERMINATE IN JUNCTION BOX.
 - 4 120V 15A DUPLEX ON 6" FLEX ABOVE CEILING FOR FUTURE PROJECTOR. PLACE 15' FROM SCREEN WALL.
 - 5 120V 15A QUADPLEX. 4S BOX AND 1/4" CONDUIT FOR FUTURE WAK EQUIPMENT CABINET. COLOCATE AT 60" AFF.

ALL DETAILS ARE DIAGRAMMATIC IN NATURE. REFER TO FLOOR PLANS AND MANUFACTURERS INSTALLATION MANUALS FOR FURTHER INFORMATION.

○ DETAIL KEYNOTES

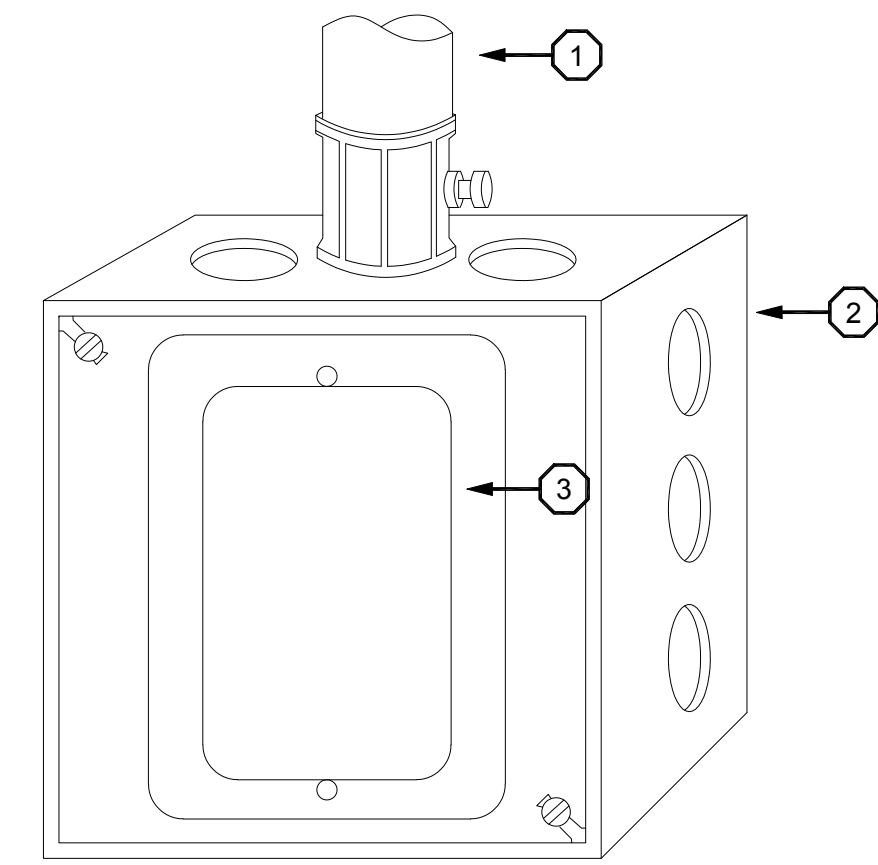
1. 3/4" CONDUIT STUBBED TO ABOVE CEILING U.O.N.
2. 4 SQUARE DEVICE BOX.
3. DUAL GANG DRYWALL RING.

DETAIL GENERAL NOTES

1. CONFIGURATION IS STANDARD FOR ALL IN-WALL CATV OUTLETS U.O.N.

AV SCOPE OF WORK STATEMENT

1. IT IS THE INTENT OF THESE DOCUMENTS FOR THE CONTRACTOR TO PROVIDE AND INSTALL NECESSARY IN WALL AND ABOVE CEILING INFRASTRUCTURE AS SHOWN ON THE DRAWINGS FOR A FUTURE AUDIOVISUAL SYSTEM. AUDIOVISUAL SCREENS, PROJECTORS, DISPLAYS, RACKS, CAMERAS AND OTHER FIELD DISPLAY AND INTERFACE EQUIPMENT SHALL NOT BE PROVIDED IN THIS SCOPE OF WORK. THE CONTRACTOR SHALL PROVIDE AND INSTALL ALL OF THE NECESSARY POWER, CONDUIT, FLEX, JUNCTION BOXES, BACKBOXES, TRIM RINGS, CUSTOM IN WALL CABINETS, BOXES AND ASSOCIATED INFRASTRUCTURE AS SHOWN HERE. THE CONTRACTOR SHALL PROVIDE CONDUIT STUBS IN THE ACCESSIBLE CEILING IN SUCH A MANNER SO THAT THEY CAN BE EASILY IDENTIFIED AND ACCESSED FOR FUTURE USE.



1 TYPICAL COMMUNICATIONS OUTLET BACKBOX & CONDUIT DETAIL

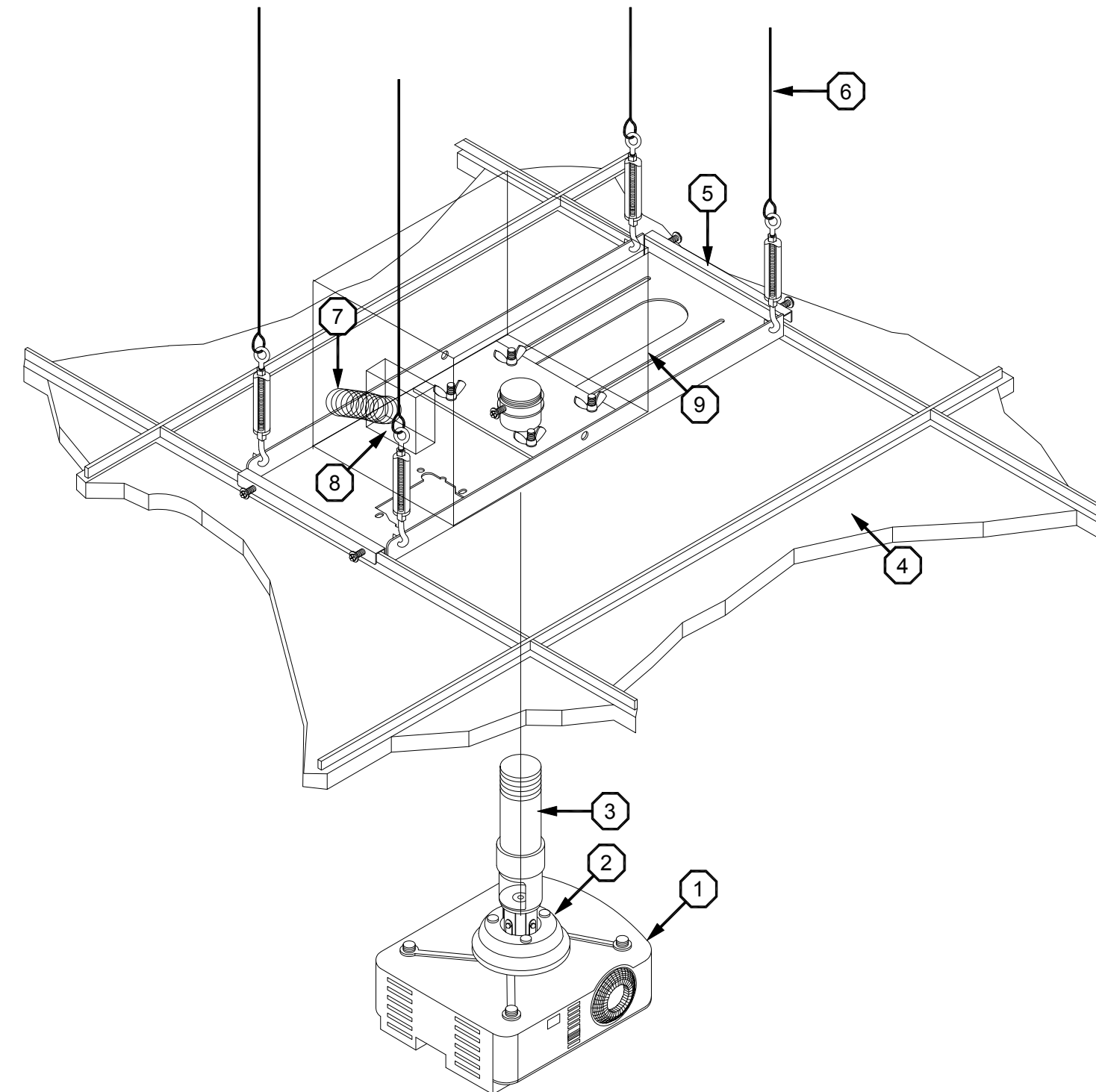
ALL DETAILS ARE DIAGRAMMATIC IN NATURE. REFER TO FLOOR PLANS AND MANUFACTURERS INSTALLATION MANUALS FOR FURTHER INFORMATION.

○ DETAIL KEYNOTES

1. VIDEO PROJECTOR.
2. PROJECTOR MOUNT.
3. 1 1/2" NPT ADAPTER.
4. SUSPENDED CEILING TILE.
5. MOUNTING PLATE.
6. STEEL WIRE FASTEN TO STRUCTURE ABOVE.
7. ELECTRICAL PANEL OUTLET.
8. ELECTRICAL CONDUIT.
9. PLENUM-RATED DEVICE BOX.

AV SCOPE OF WORK STATEMENT

1. IT IS THE INTENT OF THESE DOCUMENTS FOR THE CONTRACTOR TO PROVIDE AND INSTALL NECESSARY IN WALL AND ABOVE CEILING INFRASTRUCTURE AS SHOWN ON THE DRAWINGS FOR A FUTURE AUDIOVISUAL SYSTEM. AUDIOVISUAL SCREENS, PROJECTORS, DISPLAYS, RACKS, CAMERAS AND OTHER FIELD DISPLAY AND INTERFACE EQUIPMENT SHALL NOT BE PROVIDED IN THIS SCOPE OF WORK. THE CONTRACTOR SHALL PROVIDE AND INSTALL ALL OF THE NECESSARY POWER, CONDUIT, FLEX, JUNCTION BOXES, BACKBOXES, TRIM RINGS, CUSTOM IN WALL CABINETS, BOXES AND ASSOCIATED INFRASTRUCTURE AS SHOWN HERE. THE CONTRACTOR SHALL PROVIDE CONDUIT STUBS IN THE ACCESSIBLE CEILING IN SUCH A MANNER SO THAT THEY CAN BE EASILY IDENTIFIED AND ACCESSED FOR FUTURE USE.



2 TYPICAL PROJECTOR MOUNTING DETAIL

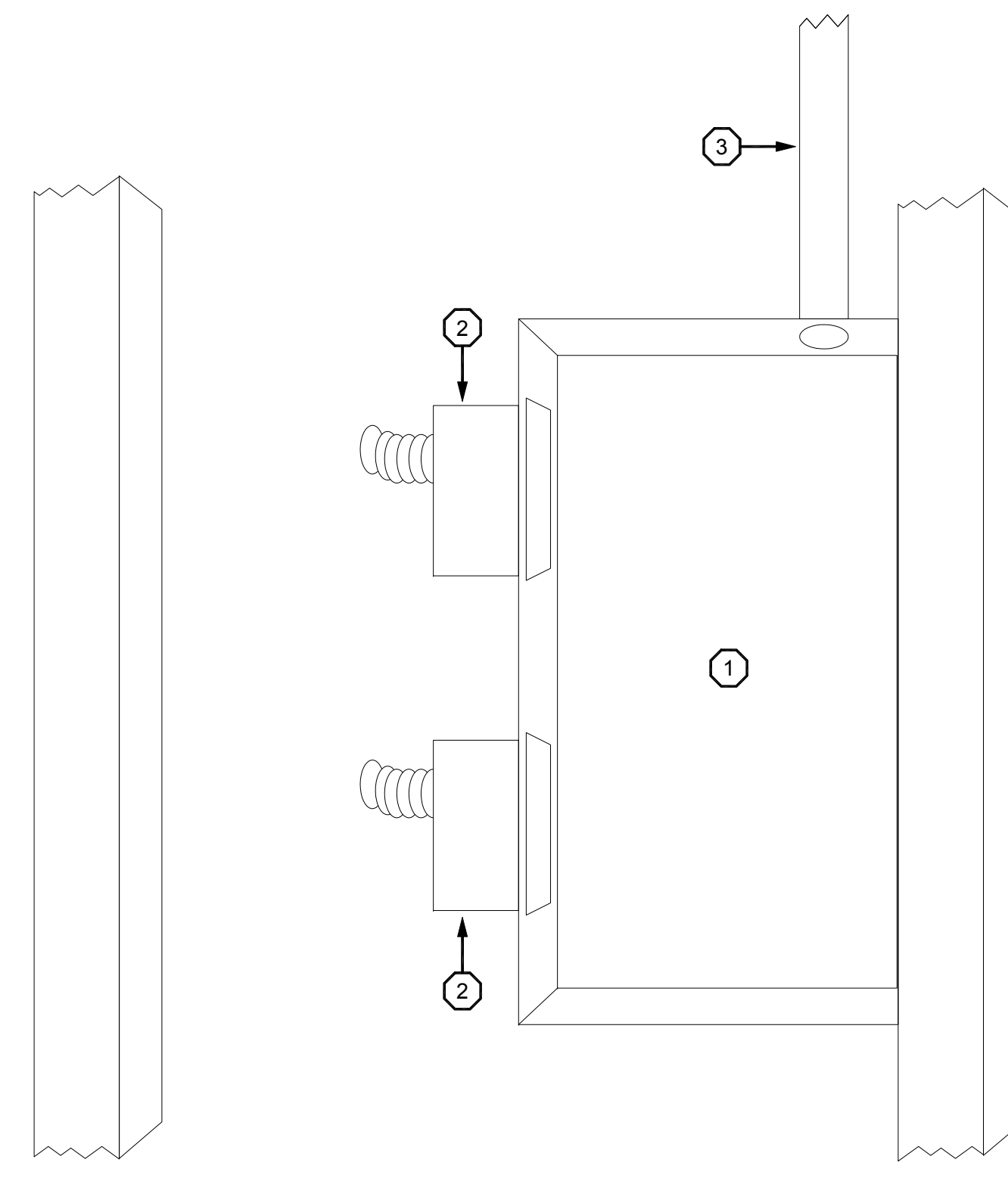
ALL DETAILS ARE DIAGRAMMATIC IN NATURE. REFER TO FLOOR PLANS AND MANUFACTURERS INSTALLATION MANUALS FOR FURTHER INFORMATION.

○ DETAIL KEYNOTES

1. CHIEF MFG PACS22 IN-WALL BOX.
2. 120V 15A DUPLEX.
3. 1" CONDUIT STUBBED UP.

AV SCOPE OF WORK STATEMENT

1. IT IS THE INTENT OF THESE DOCUMENTS FOR THE CONTRACTOR TO PROVIDE AND INSTALL NECESSARY IN WALL AND ABOVE CEILING INFRASTRUCTURE AS SHOWN ON THE DRAWINGS FOR A FUTURE AUDIOVISUAL SYSTEM. AUDIOVISUAL SCREENS, PROJECTORS, DISPLAYS, RACKS, CAMERAS AND OTHER FIELD DISPLAY AND INTERFACE EQUIPMENT SHALL NOT BE PROVIDED IN THIS SCOPE OF WORK. THE CONTRACTOR SHALL PROVIDE AND INSTALL ALL OF THE NECESSARY POWER, CONDUIT, FLEX, JUNCTION BOXES, BACKBOXES, TRIM RINGS, CUSTOM IN WALL CABINETS, BOXES AND ASSOCIATED INFRASTRUCTURE AS SHOWN HERE. THE CONTRACTOR SHALL PROVIDE CONDUIT STUBS IN THE ACCESSIBLE CEILING IN SUCH A MANNER SO THAT THEY CAN BE EASILY IDENTIFIED AND ACCESSED FOR FUTURE USE.



3 TYPICAL FLAT PANEL BACK BOXES

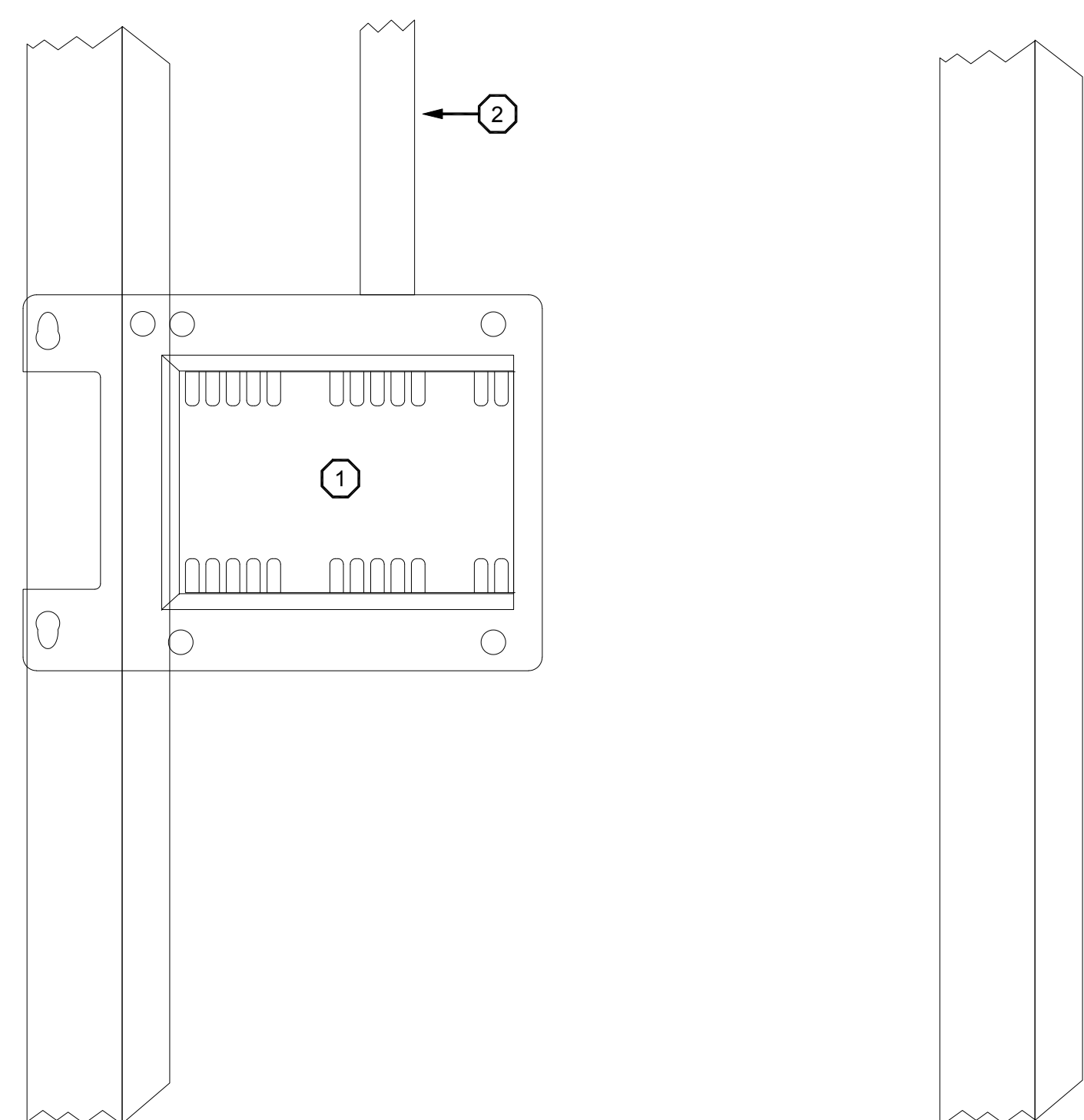
ALL DETAILS ARE DIAGRAMMATIC IN NATURE. REFER TO FLOOR PLANS AND MANUFACTURERS INSTALLATION MANUALS FOR FURTHER INFORMATION.

○ DETAIL KEYNOTES

1. CRESTRON BB6L BACKBOX.
2. 3/4" CONDUIT STUBBED UP

AV SCOPE OF WORK STATEMENT

1. IT IS THE INTENT OF THESE DOCUMENTS FOR THE CONTRACTOR TO PROVIDE AND INSTALL NECESSARY IN WALL AND ABOVE CEILING INFRASTRUCTURE AS SHOWN ON THE DRAWINGS FOR A FUTURE AUDIOVISUAL SYSTEM. AUDIOVISUAL SCREENS, PROJECTORS, DISPLAYS, RACKS, CAMERAS AND OTHER FIELD DISPLAY AND INTERFACE EQUIPMENT SHALL NOT BE PROVIDED IN THIS SCOPE OF WORK. THE CONTRACTOR SHALL PROVIDE AND INSTALL ALL OF THE NECESSARY POWER, CONDUIT, FLEX, JUNCTION BOXES, BACKBOXES, TRIM RINGS, CUSTOM IN WALL CABINETS, BOXES AND ASSOCIATED INFRASTRUCTURE AS SHOWN HERE. THE CONTRACTOR SHALL PROVIDE CONDUIT STUBS IN THE ACCESSIBLE CEILING IN SUCH A MANNER SO THAT THEY CAN BE EASILY IDENTIFIED AND ACCESSED FOR FUTURE USE.



4 TYPICAL BACK BOX FOR 6" CRESTRON TOUCH PANEL

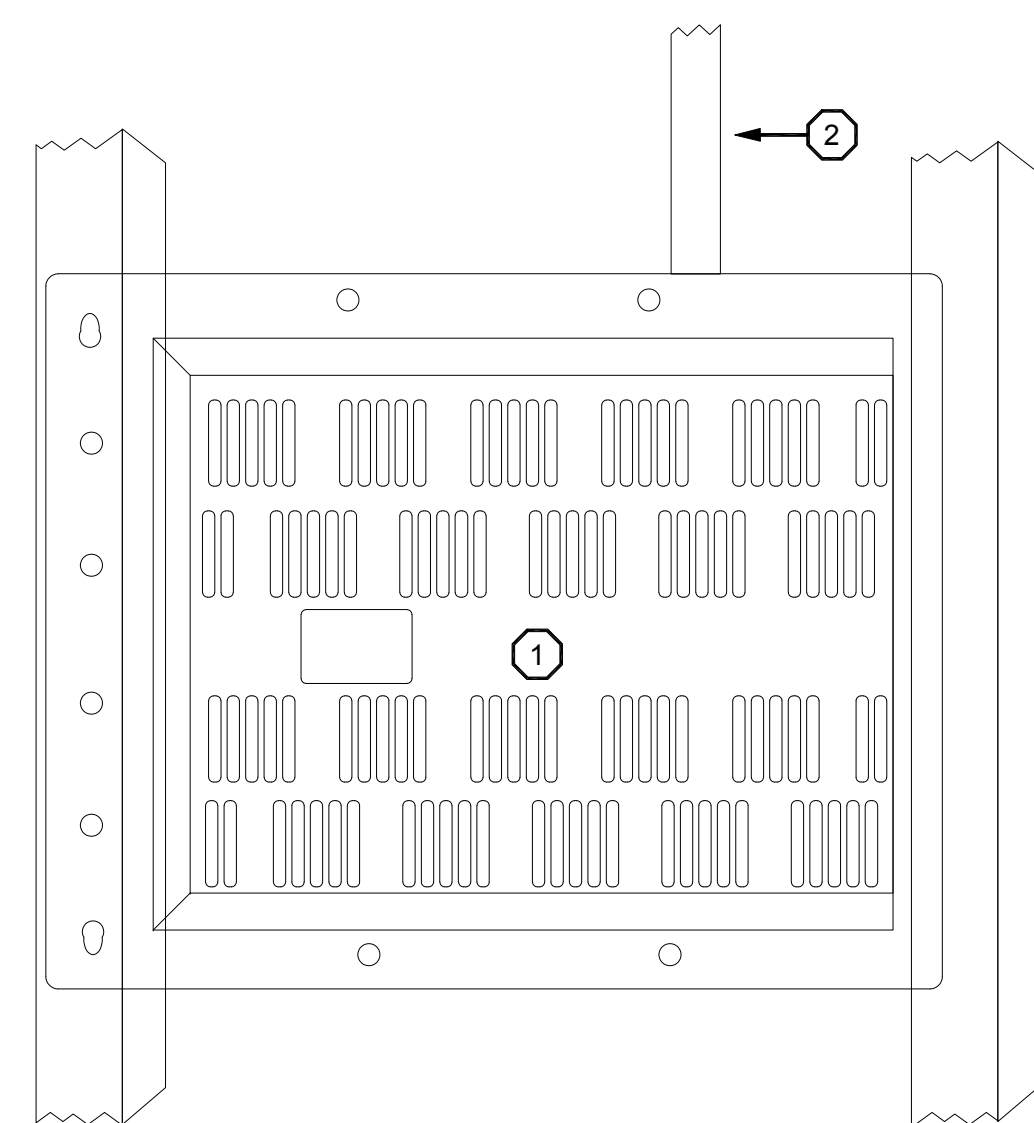
ALL DETAILS ARE DIAGRAMMATIC IN NATURE. REFER TO FLOOR PLANS AND MANUFACTURERS INSTALLATION MANUALS FOR FURTHER INFORMATION.

○ DETAIL KEYNOTES

1. CRESTRON BBV15 BACKBOX.
2. 3/4" CONDUIT STUBBED UP

AV SCOPE OF WORK STATEMENT

1. IT IS THE INTENT OF THESE DOCUMENTS FOR THE CONTRACTOR TO PROVIDE AND INSTALL NECESSARY IN WALL AND ABOVE CEILING INFRASTRUCTURE AS SHOWN ON THE DRAWINGS FOR A FUTURE AUDIOVISUAL SYSTEM. AUDIOVISUAL SCREENS, PROJECTORS, DISPLAYS, RACKS, CAMERAS AND OTHER FIELD DISPLAY AND INTERFACE EQUIPMENT SHALL NOT BE PROVIDED IN THIS SCOPE OF WORK. THE CONTRACTOR SHALL PROVIDE AND INSTALL ALL OF THE NECESSARY POWER, CONDUIT, FLEX, JUNCTION BOXES, BACKBOXES, TRIM RINGS, CUSTOM IN WALL CABINETS, BOXES AND ASSOCIATED INFRASTRUCTURE AS SHOWN HERE. THE CONTRACTOR SHALL PROVIDE CONDUIT STUBS IN THE ACCESSIBLE CEILING IN SUCH A MANNER SO THAT THEY CAN BE EASILY IDENTIFIED AND ACCESSED FOR FUTURE USE.



5 TYPICAL BACK BOX FOR 15" CRESTRON TOUCH PANEL

Issue

Rev Date By Description

Rev	Date	By	Description

Drawn By CW

Checked By ES

Job No.

Issue Date 12/29/2010

Scale N.T.S.

TRUE

Reference North

Drawing Title

AUDIO VISUAL
ELECTRONICS
DETAIL SHEET